

PART NUMBER	DIA. (MM.)	LENGTH "B"
MNT-40-48	40	48"
MNT-40-72	40	72"
MNT-40-144*	40	144"
MNT-50-48	50	48"
MNT-50-72	50	72"
MNT-50-144*	50	144"

**SPECIFICATIONS:**

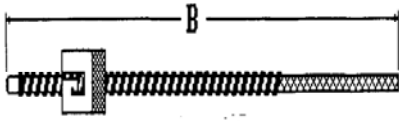
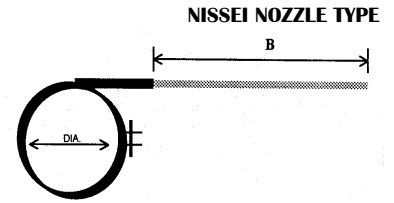
- "J" TYPE-STANDARD
- 3/16" WIDE STEEL STRAP
- STAINLESS STEEL BRAID LEADS

\* Includes 7ft. Heat Shrink Tube

**OPTIONS:**

- "K" TYPE
- UNGROUNDED
- OTHER LEAD LENGTHS AVAILABLE
- OTHER NOZZLE DIAMETERS AVAILABLE

**TEVAC  
NISSEI METRIC THERMOCOUPLES**



**BARE WIRE LEADS / MALE PLUGS**

PART NUMBER	LENGTH	WITH PLUG PART NUMBER	LENGTH "B"
MAJB-48	48" BRAID	MAJB-48P	48" BRAID
MAJB-72	72" BRAID	MAJB-72P	72" BRAID

**SPECIFICATIONS:**

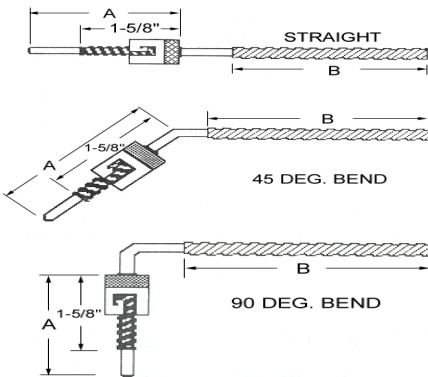
- GROUNDED, "J" TYPE
- MOVEABLE DOUBLE-SLOTTED CAP
- .480" DIAMETER METRIC BAYONET CAP

**OPTIONS:**

- "K" TYPE
- UNGROUNDED
- LONGER LEAD LENGTHS

**TEVAC  
METRIC BAYONET ADAPTORS  
FITS ALL T/C HOLES FROM 1/2" TO 10" DEEP**

**TEVAC FIXED DEPTH THERMOCOUPLES  
WITH & WITHOUT PLUG**



**STYLE FDT**

**STYLE FDT-45**

**STYLE FDT-90**

"J" TYPE WITH **SS HOSE**—NO PLUG  
Standard 3/16" Diameter

STYLE TYPE
FDT
FDT-45
FDT-90

"J" TYPE WITH **SS HOSE**—with PLUG  
Standard 3/16" Diameter

STYLE TYPE
FDT-*
FDT-45*
FDT-90*

1/4" Diameter available - Specify\*\*  
1/8" Diameter available - Specify\*\*

PICTURES SHOWN DO NOT REFLECT "WITH PLUG"

**OPTIONS:** B-Stainless Steel Braid K-For "K" Type U-For Ungrounded

\*ADD "P" TO OPTIONS BOX BELOW FOR MALE PLUG

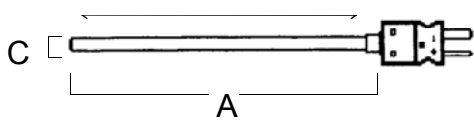
NOTE: BASE PRICES INCLUDE- UP TO 4" OF "A" LENGTH

**TO ESTABLISH PART NUMBER:**

STYLE TYPE      DIAMETER\*\* (LEAVE)      "A" LENGTH      "B" LENGTH      OPTIONS – SEE ABOVE

—  —  —  —

**EX:** Style FDT-90\* with plug, with "A" length of 6" & "B" length of 60", "J" Type & Ungrounded would be: **FDT-90-6-60-P-U**.



Note: Base Prices for "J" Type ONLY (with Male Plug) & Includes the first 4" of Probe Length

PART NUMBER	DIAMETER (C)
RT-18	1/8"
RT-316	3/16"
RT-14	1/4"

**TEVAC  
RIGID TYPE THERMOCOUPLES  
WITH MALE PLUG**

**OPTIONS:** MI-FOR MINERAL INSULATED K-FOR "K" TYPE FJ-FEMALE JACK (REPLACES "P") OR IF NO PLUG OR JACK-DELETE "P"

**TO ESTABLISH PART NUMBER:**

RT —  —  —  — P —  —

DIAMETER (C)      MI-FOR MINERAL INSULATED ONLY      "A" LENGTH      \*\*      OPTIONS

**EX:** 3/16" Diameter with 9" Probe, "J" Type. Tevac Part No. **RT-316-9-P**